

ALUMINUM FORGING  
EXPERT AROUND YOU



兰溪市同力铝业股份有限公司  
LANXISHI TONGLI ALUMINUM CO.,LTD

地址：浙江省兰溪市永昌工业园区  
电话：0086-579-88388616 / 88388532  
手机：0086-13706898377  
网址：www.lxtongli.com  
E-mail: xf@lxtongli.com  
tl@lxtongli.com  
诚信通：https://lxtongli.alibaba.com



2026  
NEW PRODUCT  
CATALOG

兰溪市同力铝业股份有限公司  
LANXISHI TONGLI ALUMINUM CO.,LTD

## COMPANY PROFILE 公司简介

In 1997, our general manager Mr Xu and his team completed **the first aluminum forged crank** in China (mainland) when he worked in the state-owned enterprise.

In 2001, Mr Xu started Tongli, from the beginning of Sugino to nowadays, we are the designated crank supplier for many domestic and foreign well-known bicycles and chainwheel enterprises.

Nowadays, Tongli have 14 forging lines with the capacity of 2000ton, 1000 ton, 630 ton, and 400 ton, together with 85 sets CNC machinery centers, have one automatic anodizing line and several manual lines, and a series of professional testing equipments could satisfy all kinds of customers' requirements. We also have got the ISO 9001:2015 and IATF 16949:2016 quality management system certification and had the self-export rights.

Depending on the strong point of aluminum forging, Tongli has extended its product ranges to all kinds of aluminum forged parts of bicycles, e-bicycles and e-motorcycles.

Thank you for your trust, Tongli never stops in providing better services, better quality and more innovation.

**TONGLI - Aluminum forging expert around you!**

## EQUIPMENT 设备



## QUALITY MANAGEMENT SYSTEM CERTIFICATION 证书



# CONTENTS 目录

MTB 山地车	PAGE:01-12
ROAD GRAVEL BIKE 公路自行车	PAGE:13-18
FOLDING FAT 折叠车/雪地车	PAGE:19-22
RACE/CITY 竞速/城市车	PAGE:23-26
KIDS 儿童车	PAGE:27-28
BELT 皮带轮	PAGE:29-31
E-BIKE 电动自行车	PAGE:32-34
CRANKSET 曲柄组	
BCD64-144	PAGE:34-38
SINGLE	PAGE:39-44
CHAINWHEEL/GUARD 链轮/护盘	PAGE:44-48
OTHER FORGING PARTS 其它锻件	PAGE:49-50
FRONT FORK 前叉	PAGE:51-52
ASSEMBLY INSTRUCTIONS 安装说明	PAGE:53
CHAINLINE,Q-FACTOR 链线和Q值说明	PAGE:54



## 表面处理说明

### SURFACE TREATMENT INSTRUCTIONS

AA (抛光本色氧化-High Polish Silver Anodized)

HA (喷砂本色氧化-Sand Silver Anodized)

ABK (抛光黑色氧化-High Polish Black Anodized)

HBK (喷砂黑色氧化-Sand Black Anodized)

ED (电泳-Black E-Coat)

HSL (烤漆-Silver Painted)

HAA (爪部反面喷砂本色, 正面抛光本色-Just spider Back Surface:HA, Other Surface:AA)

AA+HA (反面喷砂本色, 正面抛光本色-Back Surface:HA, Front Surface:AA)

ABK+HBK (反面喷砂黑色, 正面抛光黑色- Back Surface:HBK, Front Surface:ABK)

# MOUNTAIN BIKE



**NEW** MODEL : TL001

CRANK MODEL:TL100 DUB  
 CRANK MATERIAL:FORGED AL-6061-T6  
 CRANK FINISH:HBK  
 BCD:GXP  
 LENGTH:165-175MM  
 CHAINRING:32,34,36,38T  
 CHAINRING FINISH AND MATERIAL:  
 ABK,ALLOY-7075-T6  
 SPEED:9-12S  
 CHAIN LINE:52MM  
 Q-FACTOR:175MM  
 B.B.AXLE:Ø29MM/DUB



MODEL : TL002

CRANK MODEL:TL80 TOX  
 CRANK MATERIAL:FORGED AL-6061-T6  
 CRANK FINISH:HBK+ABK  
 BCD:GXP  
 LENGTH:165-175MM  
 CHAINRING:32,34,36,38T  
 CHAINRING FINISH AND MATERIAL:  
 HBK,ALLOY-7075-T6  
 SPEED:9-12S  
 CHAIN LINE:49/52/55MM  
 Q-FACTOR:176.5MM  
 B.B.AXLE:Ø24MM/143MM

MODEL : TL003

CRANK MODEL:TL64 TOX  
 CRANK MATERIAL:FORGED AL-6061-T6  
 CRANK FINISH:ABK  
 BCD:GXP  
 LENGTH:165-175MM  
 CHAINRING:32,34,36,38T  
 CHAINRING FINISH AND MATERIAL:  
 HBK,ALLOY-7075-T6  
 SPEED:9-12S  
 CHAIN LINE:49/52/55MM  
 Q-FACTOR:177.5MM  
 B.B.AXLE:Ø24MM/143MM



MODEL : TL004

CRANK MODEL:TL64+SPIDER TOX  
 CRANK MATERIAL:FORGED AL-6061-T6  
 CRANK FINISH:ABK  
 BCD:GXP+BCD104MM  
 LENGTH:165-175MM  
 CHAINRING:32,34,36,38T  
 CHAINRING FINISH AND MATERIAL:  
 HBK,ALLOY-7075-T6  
 SPEED:9-12S  
 CHAIN LINE:49/52/55MM  
 Q-FACTOR:177.5MM  
 B.B.AXLE:Ø24MM/143MM

**NEW** MODEL : TL005

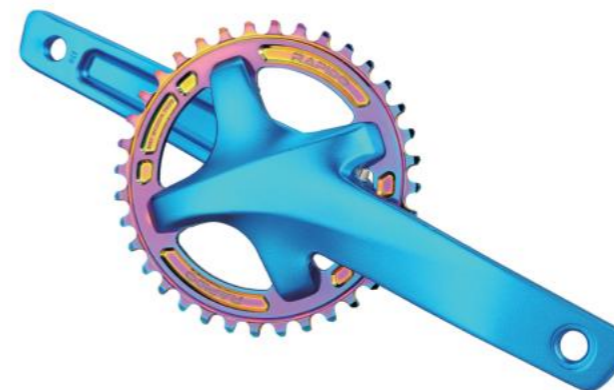
CRANK MODEL: TL81 DUB  
 CRANK MATERIAL: FORGED AL-6061-T6  
 CRANK FINISH: HBK  
 BCD: GXP  
 LENGTH: 165-175MM  
 CHAINRING: 32,34T  
 CHAINRING FINISH AND MATERIAL:  
 ABK,ALLOY-7075-T6  
 SPEED: 9-12S  
 CHAIN LINE: 49/52MM  
 Q-FACTOR: 175MM  
 B.B.AXLE: Ø29MM/DUB





**NEW** MODEL : TL006

CRANK MODEL:FX20 TOX  
CRANK MATERIAL:FORGED AL-6061-T6  
CRANK FINISH:HBK+ABK  
BCD:104MM  
LENGTH:165-175MM  
CHAINRING:32,34,36,38T  
CHAINRING FINISH AND MATERIAL:  
HBK,ALLOY-7075-T6  
SPEED:9-12S  
CHAIN LINE:52MM  
Q-FACTOR:177.5MM  
B.B.AXLE:Ø24MM/143MM



MODEL : TL010

CRANK MODEL:FX15 TOX  
CRANK MATERIAL:FORGED AL-6061-T6  
CRANK FINISH:BLUE  
BCD:104MM  
LENGTH:170-175MM  
CHAINRING:32,34,36,38T  
CHAINRING FINISH AND MATERIAL:  
PVD COAT,ALLOY-7075-T6  
SPEED:9-12S  
CHAIN LINE:50MM  
Q-FACTOR:176MM  
B.B.AXLE:Ø24MM/143MM

**NEW** MODEL : TL007

CRANK MODEL:FX27 TOX  
CRANK MATERIAL:FORGED AL-6061-T6  
CRANK FINISH:HBK  
BCD:104MM  
LENGTH:165-175MM  
CHAINRING:34,36T  
CHAINRING FINISH AND MATERIAL:  
HBK,ALLOY-7075-T6  
SPEED:9-12S  
CHAIN LINE:50MM  
Q-FACTOR:174.5MM  
B.B.AXLE:Ø24MM/143MM



MODEL : TL011

CRANK MODEL:FX8 TOX  
CRANK MATERIAL:FORGED AL-6061-T6  
CRANK FINISH:HBK+ABK  
BCD:104MM  
LENGTH:170-175MM  
CHAINRING:32,34,36,38T  
CHAINRING FINISH AND MATERIAL:  
HBK,ALLOY-7075-T6  
SPEED:9-12S  
CHAIN LINE:50MM  
Q-FACTOR:178.5MM  
B.B.AXLE:Ø24MM/143MM



**NEW** MODEL : TL008

CRANK MODEL:FX24 TOX  
CRANK MATERIAL:FORGED AL-6061-T6  
CRANK FINISH:HBK  
BCD:104MM  
LENGTH:165-170MM  
CHAINRING:32,34,36,38,40,42,44T  
CHAINRING FINISH AND MATERIAL:  
HBK,ALLOY-7075-T6  
SPEED:9-12S  
CHAIN LINE:50MM  
Q-FACTOR:176.5MM  
B.B.AXLE:Ø24MM/143MM



**NEW** MODEL : TL012

CRANK MODEL:FX22 TOX  
CRANK MATERIAL:FORGED AL-6061-T6  
CRANK FINISH:HBK  
BCD:104MM  
LENGTH:165-175MM  
CHAINRING:32,34,36,38T  
CHAINRING FINISH AND MATERIAL:  
HBK,ALLOY-7075-T6  
SPEED:9-12S  
CHAIN LINE:52MM  
Q-FACTOR:174.5MM  
B.B.AXLE:Ø24MM/143MM

**NEW** MODEL : TL009

CRANK MODEL:FX18 TOX  
CRANK MATERIAL:FORGED AL-6061-T6  
CRANK FINISH:HBK  
BCD:104MM  
LENGTH:165-170MM  
CHAINRING:32,34,36,38,40,42,44T  
CHAINRING FINISH AND MATERIAL:  
HBK,ALLOY-7075-T6  
SPEED:9-12S  
CHAIN LINE:50MM  
Q-FACTOR:176.5MM  
B.B.AXLE:Ø24MM/143MM



MODEL : TL013

CRANK MODEL:FX13 TOX  
CRANK MATERIAL:FORGED AL-6061-T6  
CRANK FINISH:HBK  
BCD:104MM  
LENGTH:165-175MM  
CHAINRING:32,34,36,38T  
CHAINRING FINISH AND MATERIAL:  
HBK,ALLOY-7075-T6  
SPEED:9-12S  
CHAIN LINE:50MM  
Q-FACTOR:178.5MM  
B.B.AXLE:Ø24MM/143MM





**NEW** MODEL : TL014

CRANK MODEL:FX14 TOX  
 CRANK MATERIAL:FORGED AL-6061-T6  
 CRANK FINISH:HBK+ABK  
 BCD:104MM  
 LENGTH:165-175MM  
 CHAINRING:32,34,36,38T  
 CHAINRING FINISH AND MATERIAL:  
 HBK+CNC,ALLOY-7075-T6  
 SPEED:9-12S  
 CHAIN LINE:50MM  
 Q-FACTOR:175.5MM  
 B.B.AXLE:Ø24MM/143MM



MODEL : TL018

CRANK MODEL:FX18 TOX  
 CRANK MATERIAL:FORGED AL-6061-T6  
 CRANK FINISH:HBK  
 BCD:104MM  
 LENGTH:165-175MM  
 CHAINRING:32,34,36,38T  
 CHAINRING FINISH AND MATERIAL:  
 HBK,ALLOY-7075-T6  
 SPEED:9-12S  
 CHAIN LINE:52MM  
 Q-FACTOR:176.5MM  
 B.B.AXLE:Ø24MM/143MM

MODEL : TL015

CRANK MODEL:FX11 TOX  
 CRANK MATERIAL:FORGED AL-6061-T6  
 CRANK FINISH:PVD COAT  
 BCD:104MM  
 LENGTH:165-175MM  
 CHAINRING:32,34,36,38T  
 CHAINRING FINISH AND MATERIAL:  
 PVD COAT,ALLOY-7075-T6  
 SPEED:9-12S  
 CHAIN LINE:52MM  
 Q-FACTOR:175MM  
 B.B.AXLE:Ø24MM/143MM



**NEW** MODEL : TL019

CRANK MODEL:FX21 TOX  
 CRANK MATERIAL:FORGED AL-6061-T6  
 CRANK FINISH:HBK  
 BCD:104MM  
 LENGTH:127MM  
 CHAINRING:32,34,36,38T  
 CHAINRING FINISH AND MATERIAL:  
 ED STEEL+GUARD HBK,ALLOY-6061-T6  
 SPEED:9-12S  
 CHAIN LINE:45MM  
 Q-FACTOR:168.5MM  
 B.B.AXLE:Ø24MM/136MM



MODEL : TL016

CRANK MODEL:FX12 TOX  
 CRANK MATERIAL:FORGED AL-6061-T6  
 CRANK FINISH:BILE  
 BCD:104MM  
 LENGTH:165-175MM  
 CHAINRING:32,34,36,38T  
 CHAINRING FINISH AND MATERIAL:  
 HBK,ALLOY-7075-T6  
 SPEED:9-12S  
 CHAIN LINE:52MM  
 Q-FACTOR:179.5MM  
 B.B.AXLE:Ø24MM/143MM



**NEW** MODEL : TL020

CRANK MODEL:FX23 TOX  
 CRANK MATERIAL:FORGED AL-6061-T6  
 CRANK FINISH:HBK+ABK  
 BCD:104MM  
 LENGTH:140-152MM  
 CHAINRING:32,34,36,38T  
 CHAINRING FINISH AND MATERIAL:  
 HBK,ALLOY-6061-T6  
 SPEED:9-12S  
 CHAIN LINE:45MM  
 Q-FACTOR:168.5MM  
 B.B.AXLE:Ø24MM/136MM

**NEW** MODEL : TL017

CRANK MODEL:FX17 TOX  
 CRANK MATERIAL:FORGED AL-6061-T6  
 CRANK FINISH:HBK+ABK  
 BCD:104MM  
 LENGTH:165-175MM  
 CHAINRING:32,34,36,38T  
 CHAINRING FINISH AND MATERIAL:  
 HBK,ALLOY-7075-T6  
 SPEED:9-12S  
 CHAIN LINE:53MM  
 Q-FACTOR:176.5MM  
 B.B.AXLE:Ø24MM/143MM



MODEL : TL021

CRANK MODEL:FX15 TOX  
 CRANK MATERIAL:FORGED AL-6061-T6  
 CRANK FINISH:HBK  
 BCD:104/64MM  
 LENGTH:170-175MM  
 CHAINRING:22/36,24/38,26/36,28/38T  
 CHAINRING FINISH AND MATERIAL:  
 ED,STEEL  
 SPEED:9-12S  
 CHAIN LINE:49MM  
 Q-FACTOR:176MM  
 B.B.AXLE:Ø24MM/143MM





**NEW** MODEL : TL022

CRANK MODEL:FX24 TOX  
 CRANK MATERIAL:FORGED AL-6061-T6  
 CRANK FINISH:HBK  
 BCD:104/64MM  
 LENGTH:165-170MM  
 CHAINRING:22/36,24/38,26/36,28/38T  
 CHAINRING FINISH AND MATERIAL:  
 ED,STEEL  
 SPEED:9-12S  
 CHAIN LINE:49MM  
 Q-FACTOR:176.5MM  
 B.B.AXLE:Ø24MM/143MM



MODEL : TL026

CRANK MODEL:FX4  
 CRANK MATERIAL:FORGED AL-6061-T6  
 CRANK FINISH:HBK+拉丝  
 BCD:104/64MM  
 LENGTH:152-175MM  
 CHAINRING:42/32/22T  
 CHAINRING FINISH AND MATERIAL:  
 ED,STEEL  
 SPEED:9-11S  
 CHAIN LINE:50MM  
 B.B.AXLE:113MM

MODEL : TL023

CRANK MODEL:FX11 TOX  
 CRANK MATERIAL:FORGED AL-6061-T6  
 CRANK FINISH:HBK  
 BCD:104/64MM  
 LENGTH:165-175MM  
 CHAINRING:22/36,24/38,26/36,28/38T  
 CHAINRING FINISH AND MATERIAL:  
 ED,STEEL  
 SPEED:9-12S  
 CHAIN LINE:49MM  
 Q-FACTOR:175MM  
 B.B.AXLE:Ø24MM/143MM



MODEL:TL027

CRANK MODEL:FX7  
 CRANK MATERIAL:FORGED AL-6061-T6  
 CRANK FINISH:HBK  
 BCD:104/64MM  
 LENGTH:170MM  
 CHAINRING:42-32-22T  
 CHAINRING FINISH AND MATERIAL:ED,STEEL  
 SPEED:9/10/11S  
 CHAIN LINE:50MM  
 B.B.AXLE:113MM



MODEL : TL024

CRANK MODEL:FX8 TOX  
 CRANK MATERIAL:FORGED AL-6061-T6  
 CRANK FINISH:HBK+ABK  
 BCD:104/64MM  
 LENGTH:170-175MM  
 CHAINRING:22/32/42T,24/34/42T  
 CHAINRING FINISH AND MATERIAL:  
 ED,STEEL  
 SPEED:9-11S  
 CHAIN LINE:49.5MM  
 Q-FACTOR:178.5MM  
 B.B.AXLE:Ø24MM/143MM



MODEL:TL028

CRANK MODEL:FX1  
 CRANK MATERIA:FORGED AL-6061-T6  
 CRANK FINISH:HBK  
 BCD:104/64MM  
 LENGTH:170MM  
 CHAINRING : 44-34-24T  
 CHAINRING FINISH AND MATERIAL :  
 44T:HBK+CNC,ALLOY,34-24T:ED,STEEL  
 SPEED : 9/10S  
 CHAIN LINE : 50MM  
 B.B.AXLE:113MM

MODEL : TL025

CRANK MODEL:SS1  
 CRANK MATERIAL:FORGED AL-6061-T6  
 CRANK FINISH:HBK+拉丝  
 BCD:104/64MM  
 LENGTH:170MM  
 CHAINRING:42/32/22T  
 CHAINRING FINISH AND MATERIAL:  
 42T:HBK+CNC,ALLOY-2014-T6,32-22T:ED,STEEL  
 SPEED:9/10S  
 CHAIN LINE:50MM  
 B.B.AXLE:113MM



MODEL : TL029

CRANK MODEL:DX-5  
 CRANK MATERIAL:FORGED AL-6061-T6  
 CRANK FINISH:HBK  
 BCD:104/64MM  
 LENGTH:170MM  
 CHAINRING:42/32/22T  
 CHAINRING FINISH AND MATERIAL:  
 42T:HBK+CNC,ALLOY-2014-T6,32-22T:ED STEEL  
 SPEED:9-10S  
 CHAIN LINE:50MM  
 B.B.AXLE:113MM





**MODEL:TL030**

CRANK MODEL:FX8  
CRANK MATERIAL:FORGED AL-6061-T6  
CRANK FINISH:HBK  
LENGTH:170-175MM  
CHAINRING:42/32/22T  
CHAINRING FINISH AND MATERIAL:  
ED STEEL  
GUARD:PLASTIC  
SPEED:7-10S  
CHAIN LINE:50MM  
B.B.AXLE:113MM



**NEW MODEL:TL034**

CRANK MODEL:FX8  
CRANK MATERIAL:FORGED AL-6061-T6  
CRANK FINISH:HBK  
LENGTH:170-175MM  
CHAINRING:32,34,36,38T  
CHAINRING FINISH AND MATERIAL:  
HBK,ALLOY-6061-T6  
SPEED:9-11S  
CHAIN LINE:50MM  
B.B.AXLE:113MM

**MODEL:TL031**

CRANK MODEL:FX13  
CRANK MATERIAL:FORGED AL-6061-T6  
CRANK FINISH:HBK  
LENGTH:170-175MM  
CHAINRING:22/36,26/36,24/38,22/38T  
CHAINRING FINISH AND MATERIAL:  
ED,STEEL  
SPEED:9-11S  
CHAIN LINE:50MM  
B.B.AXLE:113MM



**MODEL:TL035**

CRANK MODEL:FX13  
CRANK MATERIAL:FORGED AL-6061-T6  
CRANK FINISH:HBK  
LENGTH:170-175MM  
CHAINRING:32,34,36,38T  
CHAINRING FINISH AND MATERIAL:  
HBK,ALLOY-6061-T6  
SPEED:9-11S  
CHAIN LINE:50MM  
B.B.AXLE:113MM



**MODEL : TL032**

CRANK MODEL:DL1  
CRANK MATERIAL:FORGED AL-6061-T6  
CRANK FINISH:PVD  
BCD:104MM  
LENGTH:170-175MM  
CHAINRING:32,34,36,38T  
CHAINRING FINISH AND MATERIAL:  
PVD,STEEL  
SPEED:9-11S  
CHAIN LINE:49MM  
B.B.AXLE:119MM



**NEW MODEL:TL036**

CRANK MODEL:FX25  
CRANK MATERIAL:FORGED AL-6061-T6  
CRANK FINISH:HBK  
LENGTH:170MM  
CHAINRING:32,34,36,38T  
CHAINRING FINISH AND MATERIAL:  
HBK,ALLOY-6061-T6  
SPEED:9-11S  
CHAIN LINE:50MM  
B.B.AXLE:113MM

**MODEL:TL033**

CRANK MODEL:FX4  
CRANK MATERIAL:FORGED AL-6061-T6  
CRANK FINISH:HBK  
LENGTH:152-175MM  
CHAINRING:32,34,36,38T  
CHAINRING FINISH AND MATERIAL:  
HBK,ALLOY-6061-T6  
SPEED:9-11S  
CHAIN LINE:50MM  
B.B.AXLE:113MM



**NEW MODEL:TL037**

CRANK MODEL:FX26  
CRANK MATERIAL:FORGED AL-6061-T6  
CRANK FINISH:HBK  
LENGTH:165-170MM  
CHAINRING:32,34,36,38T  
CHAINRING FINISH AND MATERIAL:  
HBK,ALLOY-6061-T6  
SPEED:9-11S  
CHAIN LINE:50MM  
B.B.AXLE:113MM





**NEW** MODEL:TL038  
 CRANK MODEL:TL86  
 CRANK MATERIAL:FORGED AL-6061-T6  
 CRANK FINISH:HBK  
 LENGTH:170MM  
 CHAINRING:34,36T(NARROW WIDE)  
 CHAINRING FINISH AND MATERIAL:  
 ED,STEEL  
 SPEED:9-11S  
 CHAIN LINE:49MM  
 B.B.AXLE:Ø124.5MM



MODEL:TL042  
 CRANK MODEL:TS3  
 CRANK MATERIAL:FORGED AL-6061-T6  
 CRANK FINISH:ABK  
 LENGTH:165-170MM  
 CHAINRING:44/34/22T  
 CHAINRING FINISH AND MATERIAL:  
 ED STEEL  
 GUARD:PLASTIC  
 SPEED:7/8/9S  
 CHAIN LINE:50MM  
 B.B.AXLE:Ø124.5MM

MODEL:TL039

CRANK MODEL:TL50  
 CRANK MATERIAL:FORGED AL-6061-T6  
 CRANK FINISH:HBK  
 LENGTH:165-170MM  
 CHAINRING:44/34/22T  
 CHAINRING FINISH AND MATERIAL:  
 ED STEEL  
 GUARD:PLASTIC  
 SPEED:7/8/9S  
 CHAIN LINE:50MM  
 B.B.AXLE:Ø124.5MM



MODEL:TL043

CRANK MODEL:TL72  
 CRANK MATERIAL:FORGED AL-6061-T6  
 CRANK FINISH:RED  
 LENGTH:165-170MM  
 CHAINRING:44/34/22T  
 CHAINRING FINISH AND MATERIAL:  
 ED STEEL  
 GUARD:PLASTIC  
 SPEED:7/8/9S  
 CHAIN LINE:50MM  
 B.B.AXLE:Ø124.5MM



MODEL:TL040  
 CRANK MODEL:TL47  
 CRANK MATERIAL:FORGED AL-6061-T6  
 CRANK FINISH:HBK  
 LENGTH:165-170MM  
 CHAINRING:44/34/22T  
 CHAINRING FINISH AND MATERIAL:  
 ED,STEEL  
 GUARD:PLASTIC  
 SPEED:7/8/9S  
 CHAIN LINE:50MM  
 B.B.AXLE:Ø124.5MM



MODEL:TL044  
 CRANK MODEL:TS-5  
 CRANK MATERIAL:FORGED AL-6061-T6  
 CRANK FINISH:AA  
 LENGTH:165-175MM  
 CHAINRING:42-34-24T  
 CHAINRING FINISH AND MATERIAL:  
 42T:HSL,STEEL,34-24T:ED,STEEL  
 SPEED:7/8/9S  
 CHAIN LINE:50MM  
 B.B.AXLE:Ø124.5MM

MODEL:TL041

CRANK MODEL:TL49  
 CRANK MATERIAL:FORGED AL-6061-T6  
 CRANK FINISH:HBK  
 LENGTH:152-170MM  
 CHAINRING:44/34/22T  
 CHAINRING FINISH AND MATERIAL:  
 ED STEEL  
 GUARD:PLASTIC  
 SPEED:7/8/9S  
 CHAIN LINE:50MM  
 B.B.AXLE:Ø124.5MM



MODEL:TL045

CRANK MODEL:NMS  
 CRANK MATERIAL:FORGED AL-6061-T6  
 CRANK FINISH:AA  
 LENGTH:170MM  
 CHAINRING:42-32-22T  
 CHAINRING FINISH AND MATERIAL :  
 42-32T:HSL,STEEL,22T:ED,STEEL  
 GUARD:PLASTIC  
 SPEED:7/8/9S  
 CHAIN LINE : 50MM  
 B.B.AXLE:Ø124.5MM





ROAD GRAVEL BIKE

**NEW** MODEL:TL046

CRANK MODEL:TCB-3 DUB  
 CRANK MATERIAL:CARBON  
 CRANK FINISH:BLACK  
 BCD:GXP  
 LENGTH:170MM  
 CHAINRING:50/34T  
 CHAINRING FINISH AND MATERIAL:  
 HBK,ALLOY-7075-T6  
 SPEED:11-12S  
 CHAIN LINE:44.5MM  
 Q-FACTOR:154MM  
 B.B.AXLE:Ø29MM/DUB



**NEW** MODEL:TL047

CRANK MODEL:TCB-1 DUB  
 CRANK MATERIAL:CARBON  
 CRANK FINISH:BLACK  
 BCD:GXP  
 LENGTH:170MM  
 CHAINRING:40,42,48,50,52T  
 CHAINRING FINISH AND MATERIAL:  
 HBK,ALLOY-7075-T6  
 SPEED:11-12S  
 CHAIN LINE:47MM  
 Q-FACTOR:152MM  
 B.B.AXLE:Ø29MM/DUB



**NEW** MODEL:TL048

CRANK MODEL:WD-15  
 CRANK MATERIAL:FORGED AL-6061-T6  
 CRANK FINISH:HBK  
 BCD:110MM  
 LENGTH:170-175MM  
 CHAINRING:50/34T  
 CHAINRING FINISH AND MATERIAL:  
 HBK,ALLOY-7075-T6  
 SPEED:11-12S  
 CHAIN LINE:44.5MM  
 Q-FACTOR:151MM  
 B.B.AXLE:Ø24MM

**NEW** MODEL:TL049

CRANK MODEL:WD10 TOX  
 CRANK MATERIAL:FORGED AL-6061-T6  
 CRANK FINISH:ABK  
 BCD:110/80MM  
 LENGTH:165-175MM  
 CHAINRING:50/34,52/36T  
 CHAINRING FINISH AND MATERIAL:  
 ABK,ALLOY-7075-T6  
 SPEED:10-12S  
 CHAIN LINE:43.5MM  
 Q-FACTOR:158.5MM  
 B.B.AXLE:Ø24MM/131MM



**NEW** MODEL:TL050

CRANK MODEL:TL70 TOX  
 CRANK MATERIAL:FORGED AL-6061-T6  
 CRANK FINISH:HBK  
 BCD:GXP  
 LENGTH:165-175MM  
 CHAINRING:50/34,52/36,53/39T  
 CHAINRING FINISH AND MATERIAL:  
 HBK+CNC,ALLOY-7075-T6  
 SPEED:10-12S  
 CHAIN LINE:43.5MM,47MM  
 Q-FACTOR:158.5MM  
 B.B.AXLE:Ø24MM/136MM

**NEW** MODEL:TL051

CRANK MODEL:TL70 TOX  
 CRANK MATERIAL:FORGED AL-6061-T6  
 CRANK FINISH:ABK  
 BCD:GXP  
 LENGTH:165-175MM  
 CHAINRING:40,42,48,50,52T  
 CHAINRING FINISH AND MATERIAL:  
 HBK+CNC,ALLOY-7075-T6  
 SPEED:10-12S  
 CHAIN LINE:49MM  
 Q-FACTOR:158.5MM  
 B.B.AXLE:Ø24MM/136MM





**NEW** MODEL:TL052

CRANK MODEL:WD11 TOX  
CRANK MATERIAL:FORGED AL-6061-T6  
CRANK FINISH:HBK  
BCD:110MM  
LENGTH:130-152MM  
CHAINRING:40,42T  
CHAINRING FINISH AND MATERIAL:  
HBK,ALLOY-7075-T6  
SPEED:9-12S  
CHAIN LINE:47MM  
Q-FACTOR:152MM  
B.B.AXLE:Ø24MM/131MM



**NEW** MODEL:TL056

CRANK MODEL:WD8 TOX  
CRANK MATERIAL:FORGED AL-6061-T6  
CRANK FINISH:ABK  
BCD:130MM  
LENGTH:165-175MM  
CHAINRING:50/39,53/39T  
CHAINRING FINISH AND MATERIAL:  
HBK+CNC,ALLOY-7075-T6  
SPEED:10-12S  
CHAIN LINE:43.5MM  
Q-FACTOR:154.5MM  
B.B.AXLE:Ø24MM/136MM

**NEW** MODEL:TL053

CRANK MODEL:TD8 TOX  
CRANK MATERIAL:FORGED AL-6061-T6  
CRANK FINISH:HBK  
BCD:110MM  
LENGTH:165-175MM  
CHAINRING:50/34,53/39T  
CHAINRING FINISH AND MATERIAL:  
HBK,ALLOY-7075-T6  
SPEED:10-12S  
CHAIN LINE:43.5MM  
Q-FACTOR:155MM  
B.B.AXLE:Ø24MM/136MM



**NEW** MODEL:TL057

CRANK MODEL:WD10  
CRANK MATERIAL:FORGED AL-6061-T6  
CRANK FINISH:HBK  
BCD:110/80MM  
LENGTH:165-175MM  
CHAINRING:50/34T  
CHAINRING FINISH AND MATERIAL:  
ED,STEEL  
SPEED:9-11S  
CHAIN LINE:44.5MM  
B.B.AXLE:110.5MM



**NEW** MODEL:TL054

CRANK MODEL:TD10 TOX  
CRANK MATERIAL:FORGED AL-6061-T6  
CRANK FINISH:HBK  
BCD:110MM  
LENGTH:165-175MM  
CHAINRING:50/34T  
CHAINRING FINISH AND MATERIAL:  
ED,STEEL  
SPEED:10-12S  
CHAIN LINE:44MM  
Q-FACTOR:162MM  
B.B.AXLE:Ø24MM/136MM



**NEW** MODEL:TL058

CRANK MODEL:TD10  
CRANK MATERIAL:FORGED AL-6061-T6  
CRANK FINISH:HBK  
BCD:110MM  
LENGTH:165-170MM  
CHAINRING:50/34T  
CHAINRING FINISH AND MATERIAL:  
ED,STEEL  
SPEED:9-11S  
CHAIN LINE:44.5MM  
B.B.AXLE:110.5MM

**NEW** MODEL:TL055

CRANK MODEL:TD2 TOX  
CRANK MATERIAL:FORGED AL-6061-T6  
CRANK FINISH:ABK  
BCD:110MM  
LENGTH:165-175MM  
CHAINRING:50/34T  
CHAINRING FINISH AND MATERIAL:  
ED,STEEL  
SPEED:10-12S  
CHAIN LINE:43.5MM  
Q-FACTOR:155MM  
B.B.AXLE:Ø24MM/136MM



**NEW** MODEL:TL059

CRANK MODEL:WD10  
CRANK MATERIAL:FORGED AL-6061-T6  
CRANK FINISH:HBK  
BCD:110/80MM  
LENGTH:165-175MM  
CHAINRING:46/33T  
CHAINRING FINISH AND MATERIAL:  
ED,STEEL  
SPEED:9-11S  
CHAIN LINE:44.5MM  
B.B.AXLE:110.5MM





**NEW** MODEL:TL060

CRANK MODEL:TD10 TOX  
CRANK MATERIAL:FORGED AL-6061-T6  
CRANK FINISH:HBK  
BCD:110MM  
LENGTH:165-175MM  
CHAINRING:50/34T  
CHAINRING FINISH AND MATERIAL:  
ED,STEEL  
SPEED:10-12S  
CHAIN LINE:44MM  
Q-FACTOR:162MM  
B.B.AXLE:Ø24MM/136MM



**NEW** MODEL:TL063

CRANK MODEL:WD8  
CRANK MATERIAL:FORGED AL-6061-T6  
CRANK FINISH:HBK  
BCD:130MM  
LENGTH:165-170MM  
CHAINRING:53/39T  
CHAINRING FINISH AND MATERIAL:  
HBK+CNC,ALLOY-6061-T6  
SPEED:9/10S  
CHAIN LINE:44.5MM  
B.B.AXLE:Ø110.5MM

MODEL:TL061

CRANK MODEL:TD110  
CRANK MATERIAL:FORGED AL-6061-T6  
CRANK FINISH:HAA  
BCD:110MM  
LENGTH:165-170MM  
CHAINRING:50/34T  
CHAINRING FINISH AND MATERIAL:  
HBK+CNC,ALLOY-6061-T6  
SPEED:9/10S  
CHAIN LINE:43.5MM  
B.B.AXLE:Ø110.5MM



MODEL:TL064

CRANK MODEL:TD10 TOX  
CRANK MATERIAL:FORGED AL-6061-T6  
CRANK FINISH:HBK  
BCD:110MM  
LENGTH:165-175MM  
CHAINRING:50/34T  
CHAINRING FINISH AND MATERIAL:  
ED,STEEL  
SPEED:10-12S  
CHAIN LINE:44MM  
Q-FACTOR:162MM  
B.B.AXLE:Ø24MM/136MM



**NEW** MODEL:TL062

CRANK MODEL:TD110  
CRANK MATERIAL:FORGED AL-6061-T6  
CRANK FINISH:ABK  
BCD:110MM  
LENGTH:165-170MM  
CHAINRING:50/34T  
CHAINRING FINISH AND MATERIAL:  
ED,STEEL  
SPEED:9/10S  
CHAIN LINE:43.5MM  
B.B.AXLE:Ø110.5MM



**NEW** MODEL:TL066

CRANK MODEL:PRO6  
CRANK MATERIAL:FORGED AL-6061-T6  
CRANK FINISH:ABK  
BCD:130MM  
LENGTH:165-175MM  
CHAINRING:53-39T  
CHAINRING FINISH AND MATERIAL :  
HBK+CNC,ALLOY-6061-T6  
SPEED:9-11S  
CHAIN LINE:43.5MM  
B.B.AXLE:Ø110.5MM



**NEW** MODEL:TL063

CRANK MODEL:TD11  
CRANK MATERIAL:FORGED AL-6061-T6  
CRANK FINISH:HBK  
BCD:110MM  
LENGTH:170MM  
CHAINRING:50/34T  
CHAINRING FINISH AND MATERIAL:  
HBK,ALLOY-7075-T6  
SPEED:10-11S  
CHAIN LINE:44.5MM  
B.B.AXLE:Ø110.5MM



**NEW** MODEL:TL067

CRANK MODEL:TL86  
CRANK MATERIAL:FORGED AL-6061-T6  
CRANK FINISH:HBK  
LENGTH:170MM  
CHAINRING:50/34T  
CHAINRING FINISH AND MATERIAL:  
ED,STEEL  
SPEED:9/10S  
CHAIN LINE:44.5MM  
B.B.AXLE:Ø110.5MM





# FOLDING FAT BIKE

**NEW** MODEL:TL068

CRANK MODEL:TL101  
 CRANK MATERIAL:FORGED AL-6061-T6  
 CRANK FINISH:HBK  
 BCD:GXP  
 LENGTH:170MM  
 CHAINRING:53,56T  
 CHAINRING FINISH AND MATERIAL:  
 HBK,ALLOY-6061-T6  
 SPEED:7-11S  
 CHAIN LINE:45MM  
 Q-FACTOR:158MM  
 B.B.AXLE:Ø24MM/140MM



**NEW** MODEL:TL069

CRANK MODEL:WD6 TOX  
 CRANK MATERIAL:FORGED AL-6061-T6  
 CRANK FINISH:HBK  
 BCD:130MM  
 LENGTH:165-175MM  
 CHAINRING:48,50,52,53,56,58T  
 CHAINRING FINISH AND MATERIAL:  
 HBK+CNC,ALLOY-6061-T6  
 SPEED:9-11S  
 CHAIN LINE:45MM  
 Q-FACTOR:160MM  
 B.B.AXLE:Ø24MM/136MM

**NEW** MODEL:TL070

CRANK MODEL:PRO6 TOX  
 CRANK MATERIAL:FORGED AL-6061-T6  
 CRANK FINISH:HBK  
 BCD:130MM  
 LENGTH:165-175MM  
 CHAINRING:44,46,48,50,52,53,56T  
 CHAINRING FINISH AND MATERIAL:  
 ED,STEEL+GUARD HBK,ALLOY-6061-T6  
 SPEED:9-11S  
 CHAIN LINE:45MM  
 Q-FACTOR:160MM  
 B.B.AXLE:Ø24MM/136MM



**NEW** MODEL:TL071

CRANK MODEL:WD8  
 CRANK MATERIAL:FORGED AL-6061-T6  
 CRANK FINISH:ABK  
 BCD:130MM  
 LENGTH:165-170MM  
 CHAINRING:42,44T  
 CHAINRING FINISH AND MATERIAL:  
 ED,STEEL+2GUARD HBK,ALLOY-6061-T6  
 SPEED:7-10S  
 CHAIN LINE:47MM  
 B.B.AXLE:Ø110.5MM

**NEW** MODEL:TL072

CRANK MODEL:FX13  
 CRANK MATERIAL:FORGED AL-6061-T6  
 CRANK FINISH:HBK  
 BCD:104MM  
 LENGTH:165-175MM  
 CHAINRING:44,46T  
 CHAINRING FINISH AND MATERIAL:  
 ED,STEEL+GUARD HBK+CNC,ALLOY-6061-T6  
 SPEED:7-10S  
 CHAIN LINE:68.8MM  
 B.B.AXLE:Ø156.5MM





**MODEL:TL073**

CRANK MODEL:WD130  
CRANK MATERIAL:FORGED AL-6061-T6  
CRANK FINISH:ABK  
BCD:130MM  
LENGTH:165-175MM  
CHAINRING:48,50,52,53T  
CHAINRING FINISH AND MATERIAL:  
ED,STEEL+GUARD HBK+CNC,ALLOY-6061-T6  
SPEED:7-10S  
CHAIN LINE:45MM  
B.B.AXLE:115MM



**MODEL:TL077**

CRANK MODEL:PR06  
CRANK MATERIAL:FORGED AL-6061-T6  
CRANK FINISH:RED  
BCD:130MM  
LENGTH:165-175MM  
CHAINRING:50,52,53,56,60T  
CHAINRING FINISH AND MATERIAL:  
ED,STEEL+GUARD HBK,ALLOY-6061-T6  
SPEED:7-10S  
CHAIN LINE:45MM  
B.B.AXLE:115MM

**MODEL:TL074**

CRANK MODEL:LI201  
CRANK MATERIAL:FORGED AL-6061-T6  
CRANK FINISH:HBK  
BCD:130MM  
LENGTH:165-175MM  
CHAINRING:50,52,53T  
CHAINRING FINISH AND MATERIAL:  
ED,STEEL+GUARD HBK,ALLOY-6061-T6  
SPEED:7-10S  
CHAIN LINE:45MM  
B.B.AXLE:115MM



**MODEL:TL078**

CRANK MODEL:WD130  
CRANK MATERIAL:FORGED AL-6061-T6  
CRANK FINISH:ABK  
BCD:130MM  
LENGTH:165-175MM  
CHAINRING:42,44T  
CHAINRING FINISH AND MATERIAL:  
HSL,STEEL+GUARD HA+CNC,ALLOY-6061-T6  
SPEED:7-10S  
CHAIN LINE:68MM  
B.B.AXLE:156.5MM



**MODEL:TL075**

CRANK MODEL:F6  
CRANK MATERIAL:FORGED AL-6061-T6  
CRANK FINISH:HA  
BCD:130MM  
LENGTH:165-175MM  
CHAINRING:50,52,53,56T  
CHAINRING FINISH AND MATERIAL:  
HBK+CNC,ALLOY-6061-T6  
SPEED:7-10S  
CHAIN LINE:45MM  
B.B.AXLE:115MM



**MODEL:TL079**

CRANK MODEL:WD130  
CRANK MATERIAL:FORGED AL-6061-T6  
CRANK FINISH:ABK  
BCD:130MM  
LENGTH:165-175MM  
CHAINRING:42,44T  
CHAINRING FINISH AND MATERIAL:  
HBK+CNC,ALLOY-6061-T6  
SPEED:7-10S  
CHAIN LINE:68MM  
B.B.AXLE:156.5MM

**MODEL:TL076**

CRANK MODEL:PR06  
CRANK MATERIAL:FORGED AL-6061-T6  
CRANK FINISH:RED  
BCD:130MM  
LENGTH:165-175MM  
CHAINRING:50,52,53,56T  
CHAINRING FINISH AND MATERIAL:  
HBK+CNC,ALLOY-6061-T6  
SPEED:7-10S  
CHAIN LINE:45MM  
B.B.AXLE:115MM



**MODEL:TL080**

CRANK MODEL:ME  
CRANK MATERIAL:FORGED AL-6061-T6  
CRANK FINISH:HBK  
LENGTH:114-170MM  
CHAINRING:48,52,53T  
CHAINRING FINISH AND MATERIAL:  
ED,STEEL GUARD,PLASTIC  
SPEED:7-9S  
CHAIN LINE:45MM  
B.B.AXLE:115MM





**NEW** MODEL:TL081

CRANK MODEL:WTX9 TOX  
 CRANK MATERIAL:FORGED AL-6061-T6  
 CRANK FINISH:ABK  
 BCD:144MM  
 LENGTH:165-175MM  
 CHAINRING:46,48,50,52T  
 CHAINRING FINISH AND MATERIAL:  
 HBK,ALLOY-7075-T6  
 SPEED:9-11S  
 CHAIN LINE:43MM  
 Q-FACTOR:155MM  
 B.B.AXLE:Ø24MM/136MM



**NEW** MODEL:TL082

CRANK MODEL:WD12 DUB  
 CRANK MATERIAL:FORGED AL-6061-T6  
 CRANK FINISH:HBK  
 BCD:144MM  
 LENGTH:165-170MM  
 CHAINRING:46-52T  
 CHAINRING FINISH AND MATERIAL:  
 ABK,ALLOY-7075-T6  
 SPEED:9-12S  
 CHAIN LINE:42MM  
 Q-FACTOR:150MM  
 B.B.AXLE:Ø29MM/DUB

**NEW** MODEL:TL083

CRANK MODEL:WTX9  
 CRANK MATERIAL:FORGED AL-6061-T6  
 CRANK FINISH:ABK  
 BCD:144MM  
 LENGTH:165-175MM  
 CHAINRING:46,48T  
 CHAINRING FINISH AND MATERIAL:  
 HBK,ALLOY-7075-T6  
 SPEED:9-11S  
 CHAIN LINE:42MM  
 B.B.AXLE:Ø110.5MM



MODEL:TL084

CRANK MODEL:LJ202  
 CRANK MATERIAL:FORGED AL-6061-T6  
 CRANK FINISH:AA  
 BCD:144MM  
 LENGTH:165-175MM  
 CHAINRING : 44,46,48,50,52T  
 CHAINRING FINISH AND MATERIAL :  
 HBK,ALLOY-7075-T6  
 SPEED:9-10S  
 CHAIN LINE:42MM  
 B.B.AXLE:Ø108MM

MODEL:TL085

CRANK MODEL:TL34  
 CRANK MATERIAL:FORGED AL-6061-T6  
 CRANK FINISH:AA  
 BCD:144MM  
 LENGTH:165-175MM  
 CHAINRING : 44,46,48,50,52T  
 CHAINRING FINISH AND MATERIAL :  
 HBK+CNC,ALLOY-7075-T6  
 SPEED:9-10S  
 CHAIN LINE:42MM  
 B.B.AXLE:Ø108MM





**NEW** MODEL:TL086

CRANK MODEL:WD9  
CRANK MATERIAL:FORGED AL-6061-T6  
CRANK FINISH:AA  
BCD:130MM  
LENGTH:170MM  
CHAINRING:44,46,48T  
CHAINRING FINISH AND MATERIAL:  
HA,ALLOY-6061-T6  
SPEED:7-10S  
CHAIN LINE:45MM  
B.B.AXLE:110.5MM



MODEL:TL090

CRANK MODEL:TC-5  
CRANK MATERIAL:FORGED AL-6061-T6  
CRANK FINISH:AA  
LENGTH:165-170MM  
CHAINRING:38-42T  
CHAINRING FINISH AND MATERIAL:  
HSL,STEEL GUARD:PLASTIC  
CHAIN LINE:45MM  
B.B.AXLE:119MM

**NEW** MODEL:TL087

CRANK MODEL:ME  
CRANK MATERIAL:FORGED AL-6061-T6  
CRANK FINISH:HA  
LENGTH:170MM  
CHAINRING:40T  
CHAINRING FINISH AND MATERIAL:  
HSL,STEEL  
SPEED:7-10S  
CHAIN LINE:47MM  
B.B.AXLE:110.5MM



MODEL:TL091

CRANK MODEL:ICD  
CRANK MATERIAL:FORGED AL-6061-T6  
CRANK FINISH:AA  
LENGTH:165-170MM  
CHAINRING:38-42T  
CHAINRING FINISH AND MATERIAL:  
HSL,STEEL GUARD:PLASTIC  
CHAIN LINE:45MM  
B.B.AXLE:119MM



MODEL:TL088

CRANK MODEL:F10  
CRANK MATERIAL:FORGED AL-6061-T6  
CRANK FINISH:AA+HA  
LENGTH:165-170MM  
CHAINRING:38-42T  
CHAINRING FINISH AND MATERIAL:  
HSL,STEEL GUARD:PLASTIC  
CHAIN LINE:45MM  
B.B.AXLE:119MM



MODEL:TL092

CRANK MODEL:ICB  
CRANK MATERIAL:FORGED AL-6061-T6  
CRANK FINISH:AA  
LENGTH:165-170MM  
CHAINRING:38-42T  
CHAINRING FINISH AND MATERIAL:  
HSL,STEEL GUARD:PLASTIC  
CHAIN LINE:45MM  
B.B.AXLE:119MM

MODEL:TL089

CRANK MODEL:TC-1  
CRANK MATERIAL:FORGED AL-6061-T6  
CRANK FINISH:AA  
LENGTH:165-170MM  
CHAINRING:38-42T  
CHAINRING FINISH AND MATERIAL:  
HSL,STEEL GUARD:PLASTIC  
CHAIN LINE:45MM  
B.B.AXLE:119MM



MODEL:TL093

CRANK MODEL:F8  
CRANK MATERIAL:FORGED AL-6061-T6  
CRANK FINISH:AA  
LENGTH:165-170MM  
CHAINRING:38-42T  
CHAINRING FINISH AND MATERIAL:  
HSL,STEEL GUARD:PLASTIC  
CHAIN LINE:45MM  
B.B.AXLE:119MM



KIDS



**NEW** MODEL:TL094

CRANK MODEL:FX21 TOX  
CRANK MATERIAL:FORGED AL-6061-T6  
CRANK FINISH:HBK  
BCD:104MM  
LENGTH:127MM  
CHAINRING:32,34,36,38T  
CHAINRING FINISH AND MATERIAL:  
ED STEEL+GUARD HBK,ALLOY-6061-T6  
SPEED:9-12S  
CHAIN LINE:45MM  
Q-FACTOR:168.5MM  
B.B.AXLE:Ø24MM/136MM



**NEW** MODEL:TL095

CRANK MODEL:FX23 TOX  
CRANK MATERIAL:FORGED AL-6061-T6  
CRANK FINISH:HBK+ABK  
BCD:104MM  
LENGTH:140-152MM  
CHAINRING:32,34,36,38T  
CHAINRING FINISH AND MATERIAL:  
HBK,ALLOY-6061-T6  
SPEED:9-12S  
CHAIN LINE:45MM  
Q-FACTOR:168.5MM  
B.B.AXLE:Ø24MM/136MM



**NEW** MODEL:TL096

CRANK MODEL:TL68  
CRANK MATERIAL:FORGED AL-6061-T6  
CRANK FINISH:HBK  
LENGTH:89-127MM  
CHAINRING:28,32,36T  
CHAINRING FINISH AND MATERIAL:  
HBK,ALLOY GUARD:HBK,ALLOY-6061-T6  
SPEED:7-10S  
CHAIN LINE:45MM  
B.B.AXLE:110.5MM



**NEW** MODEL:TL097

CRANK MODEL:WD11  
CRANK MATERIAL:FORGED AL-6061-T6  
CRANK FINISH:HBK  
BCD:110MM  
LENGTH:130-152MM  
CHAINRING:40,42T  
CHAINRING FINISH AND MATERIAL:  
HBK,ALLOY-6061-T6  
SPEED:9-11S  
CHAIN LINE:47MM  
B.B.AXLE:113MM

MODEL:TL098

CRANK MODEL:TL91  
CRANK MATERIAL:FORGED AL-6061-T6  
CRANK FINISH:HBK  
LENGTH:89,102,114,130,140,152MM  
CHAINRING:28,32,36T  
CHAINRING FINISH AND MATERIAL:  
ED,STEEL GUARD:PLASTIC  
SPEED:7-9S  
CHAIN LINE:45MM  
B.B.AXLE:110.5MM



MODEL:TL099

CRANK MODEL:ME  
CRANK MATERIAL:FORGED AL-6061-T6  
CRANK FINISH:HBK  
LENGTH:114-152MM  
CHAINRING:28,32,36T  
CHAINRING FINISH AND MATERIAL:  
ED,STEEL GUARD:PLASTIC  
SPEED:7-9S  
CHAIN LINE:45MM  
B.B.AXLE:110.5MM

MODEL:TL100

CRANK MODEL:ME  
CRANK MATERIAL:FORGED AL-6061-T6  
CRANK FINISH:HBK  
LENGTH:114-152MM  
CHAINRING:40,44T  
CHAINRING FINISH AND MATERIAL:  
ED,STEEL GUARD:PLASTIC  
SPEED:7-9S  
CHAIN LINE:45MM  
B.B.AXLE:110.5MM





**BELT**

**NEW** MODEL:TL101

CRANK MODEL:WD8 TOX  
 CRANK MATERIAL:FORGED AL-6061-T6  
 CRANK FINISH:ABK  
 BCD:130MM  
 LENGTH:165-175MM  
 CHAINRING:8M-70T  
 CHAINRING FINISH AND MATERIAL:  
 HBK,ALLOY-6061-T6  
 GUARD:HBK,ALLOY-6061-T6  
 CHAIN LINE:45MM  
 Q-FACTOR:154.5MM  
 B.B.AXLE:Ø24MM/136MM



**NEW** MODEL:TL102

CRANK MODEL:FX20 TOX  
 CRANK MATERIAL:FORGED AL-6061-T6  
 CRANK FINISH:HBK+ABK  
 BCD:104MM  
 LENGTH:165-175MM  
 CHAINRING:8M-56,64T  
 CHAINRING FINISH AND MATERIAL:  
 HBK,ALLOY-6061-T6  
 GUARD:HBK,ALLOY-6061-T6  
 CHAIN LINE:45MM  
 Q-FACTOR:177.5M  
 B.B.AXLE:Ø24MM/143MM



**NEW** MODEL:TL103

CRANK MODEL:FX23 TOX  
 CRANK MATERIAL:FORGED AL-6061-T6  
 CRANK FINISH:HBK+ABK  
 BCD:104MM  
 LENGTH:140-152MM  
 CHAINRING:8M-56,64T  
 CHAINRING FINISH AND MATERIAL:  
 HBK,ALLOY-6061-T6  
 GUARD:HBK,ALLOY-6061-T6  
 CHAIN LINE:45MM  
 Q-FACTOR:168.5M  
 B.B.AXLE:Ø24MM/136MM



**NEW** MODEL:TL104  
 CRANK MODEL:PRO6  
 CRANK MATERIAL:FORGED AL-6061-T6  
 CRANK FINISH:ABK  
 BCD:130MM  
 LENGTH:152-170MM  
 CHAINRING:8M-86T  
 CHAINRING FINISH AND MATERIAL:  
 HBK,ALLOY-6061-T6  
 GUARD:HBK,ALLOY-6061-T6  
 CHAIN LINE:45MM  
 B.B.AXLE:110.5,113MM

**NEW** MODEL:TL105

CRANK MODEL:PRO6  
 CRANK MATERIAL:FORGED AL-6061-T6  
 CRANK FINISH:ABK  
 BCD:130MM  
 LENGTH:152-170MM  
 CHAINRING:11M-48,52T  
 CHAINRING FINISH AND MATERIAL:  
 HBK,ALLOY-6061-T6  
 GUARD:HBK,ALLOY-6061-T6  
 CHAIN LINE:45MM  
 B.B.AXLE:110.5,113MM



**NEW** MODEL:TL106

CRANK MODEL:ME  
 CRANK MATERIAL:FORGED AL-6061-T6  
 CRANK FINISH:HA  
 LENGTH:152-170MM  
 CHAINRING:8M-60T  
 CHAINRING FINISH AND MATERIAL:  
 HA,ALLOY-6061-T6  
 GUARD:HA,ALLOY-6061-T6  
 CHAIN LINE:45MM  
 B.B.AXLE:110.5,113MM

**NEW** MODEL:TL107

CRANK MODEL:FX16B  
 CRANK MATERIAL:FORGED AL-6061-T6  
 CRANK FINISH:HBK  
 BCD:85MM  
 LENGTH:89-130MM  
 CHAINRING:8M-46,48T  
 CHAINRING FINISH AND MATERIAL:  
 HBK,ALLOY-6061-T6  
 GUARD:HBK,ALLOY-6061-T6  
 CHAIN LINE:45MM  
 B.B.AXLE:110.5,113MM





**NEW** MODEL:TL108  
 CRANK MODEL:TL16  
 CRANK MATERIAL:FORGED AL-6061-T6  
 CRANK FINISH:HBK  
 BCD:85MM  
 LENGTH:89-130MM  
 CHAINRING:8M-48T  
 CHAINRING FINISH AND MATERIAL:  
 HBK,ALLOY-6061-T6  
 GUARD:HBK,ALLOY-6061-T6  
 CHAIN LINE:45MM  
 B.B.AXLE:110.5,113MM

**NEW** MODEL:TL109  
 BCD:44MM  
 CHAINRING:8M-60T  
 CHAINRING FINISH AND MATERIAL:  
 HBK,ALLOY-6061-T6  
 GUARD:HA,ALLOY-6061-T6



**NEW** MODEL:E-BIKE DRIVING WHEEL  
 MATERIAL:FORGED AL-6061-T6  
 FINISH:HBK  
 BCD:42MM  
 CHAINRING:8M-46T



MODEL:SPINNING FLYWHEEL  
 MATERIAL:AL-6061-T6  
 FINISH:HBK  
 CHAINRING:28T

**NEW** MODEL:CASSETTE FLYWHEEL  
 MATERIAL:AL-6061-T6  
 FINISH:HBK  
 CHAINRING:20,22,24T



MODEL:BAFANG MOTOR  
 MOTOR:M300 M400 M420  
 SPIDER MATERIAL:FORGED 6061-T6  
 BCD:104MM  
 CHAINRING:32-48T  
 CHAINRING FINISH AND MATERIAL:  
 ED,STEEL  
 GUARD:ALLOY-6061-T6  
 CHAINLINE:48MM  
 Q-FACTOR:180MM



MODEL:TOSSEVEN MOTOR  
 MOTOR:M7  
 SPIDER MATERIAL:FORGED 6061-T6  
 BCD:104MM  
 CHAINRING:38,44,52T  
 CHAINRING FINISH AND MATERIAL:  
 ED,STEEL  
 GUARD:ALLOY-6061-T6  
 CHAINLINE:48MM  
 Q-FACTOR:180MM

**NEW** MODEL:SHENGYI MOTOR  
 MOTOR:CMT03  
 SPIDER MATERIAL:FORGED 6061-T6  
 BCD:104MM  
 CHAINRING:44,48T  
 CHAINRING FINISH AND MATERIAL:  
 ED,STEEL  
 CHAINLINE:50MM  
 Q-FACTOR:180MM





**NEW** MODEL:BAFANG MOTOR  
 MOTOR:M300,M400  
 SPIDER MATERIAL:FORGED 6061-T6  
 BCD:104MM  
 CHAINRING:48T  
 CHAINRING FINISH AND MATERIAL:  
 ED,STEEL  
 GUARD:ALLOY-6061-T6+CNC  
 CHAINLINE:50MM  
 Q-FACTOR:180MM

**NEW** MODEL:BAFANG MOTOR  
 MOTOR:BB01,BB02,G350  
 SPIDER MATERIAL:FORGED 6061-T6  
 BCD:60MM  
 CHAINRING:42,44T  
 CHAINRING FINISH AND MATERIAL:  
 HBK,ALLOY-7075-T6  
 CHAINLINE:48MM  
 Q-FACTOR:180MM



**NEW** MODEL:LDS MOTOR  
 MOTOR: 朗德森力矩中轴  
 SPIDER MATERIAL:FORGED 6061-T6  
 BCD:104MM  
 CHAINRING:32-44T  
 CHAINRING FINISH AND MATERIAL:  
 ED,STEEL  
 GUARD:ALLOY-6061-T6  
 CHAINLINE:55MM  
 Q-FACTOR:180MM

**NEW** MODEL:LDS MOTOR  
 MOTOR: 朗德森力矩中轴  
 CHAINRING:46T  
 CHAINRING FINISH AND MATERIAL:  
 ED,STEEL  
 GUARD:PLASTIC  
 CHAINLINE:55MM  
 Q-FACTOR:180MM



## 锻造电机安装座实例

FORGED 6061-T6



MODEL:电机固定座  
 MATERIAL:FORGED 6061-T6



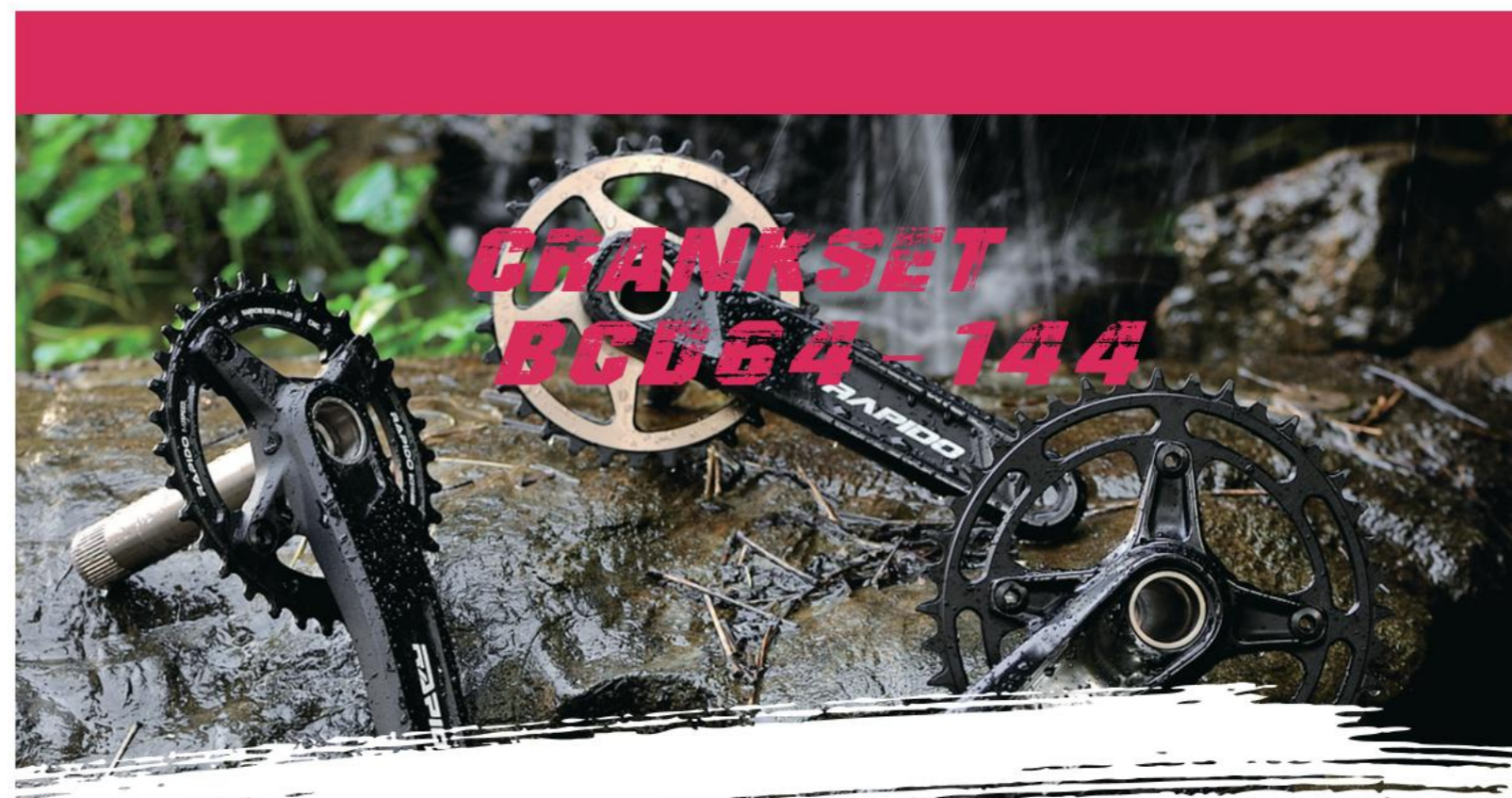
MODEL:BOSCH电机固定座  
 MATERIAL:FORGED 6061-T6



MODEL:SHIMANO E6100 电机固定座  
 MATERIAL:FORGED 6061-T6



MODEL:电机固定座  
 MATERIAL:FORGED 6061-T6





MODEL : WTX - 9 AA  
LENGTH: 165 - 175MM BCD: 144MM



MODEL : LJ201 AA  
LENGTH: 165 - 175MM BCD: 144MM



MODEL : WD-9 AA  
LENGTH: 165-170MM BCD: 130MM



MODEL : WD10 HBK  
LENGTH: 165-175MM BCD: 110MM



MODEL : LJ202 AA  
LENGTH: 165 - 175MM BCD: 144MM



MODEL : MYGAL AA  
LENGTH: 165 - 175MM BCD: 130.74MM



MODEL : TD110 ABK  
LENGTH: 165-170MM BCD: 110MM



MODEL : LG201 ABK  
LENGTH: 152-170MM BCD: 110MM



MODEL : PRO6 ABK  
LENGTH: 130-170MM BCD: 130MM



MODEL : LI201 HBK  
LENGTH: 165 - 170MM BCD: 130MM



MODEL : TD-2 ANK  
LENGTH: 165-175MM BCD: 110MM



MODEL : XD-2 AA  
LENGTH: 152-175MM BCD: 110/74MM



MODEL : RD-2 ABK  
LENGTH: 165-175MM BCD: 130MM



MODEL : WD130 AA  
LENGTH: 165-175MM BCD: 130MM



MODEL : HBK+拉丝  
LENGTH: 170MM BCD: 104/64MM



MODEL : FX-1 HBK  
LENGTH: 165-170MM BCD: 104/64MM



MODEL : FX-4 HBK+拉丝  
LENGTH: 152-175MM BCD: 104/64MM



MODEL : FX-7 HBK  
LENGTH: 170MM BCD: 104/64MM



MODEL : DX-5 HA  
LENGTH: 170-175MM BCD: 104 / 64MM



MODEL : VX-1 HBK  
LENGTH: 170MM BCD: 104 / 64MM



MODEL : FX-8 HBK  
LENGTH: 170-175MM BCD: 104/64MM



MODEL : FX-11 HBK  
LENGTH: 165 - 170MM BCD: 104 64MM



MODEL : F14 AA  
LENGTH: 170MM BCD: 104/64MM



MODEL : SX-1 AA  
LENGTH: 170MM BCD: 104/64MM



MODEL : FX12 HBK  
LENGTH: 170-175MM BCD: 104/64MM



MODEL : FX13 HBK  
LENGTH: 170-175MM BCD: 104/64MM



MODEL : HX-1 HBK  
LENGTH: 170MM BCD: 104/64MM



MODEL : LF-1 RED  
LENGTH: 170MM BCD: 104/64MM



MODEL : FX26  
LENGTH: 170MM BCD: 104 / 64MM



MODEL : ZUX-1 AA  
LENGTH: 170MM BCD: 104 / 64MM



MODEL : SS2 HBK+拉丝  
LENGTH: 170MM BCD: 64MM



MODEL : ST10 AA  
LENGTH: 170MM BCD: 64MM



MODEL : ICB AA  
LENGTH : 152-170MM



MODEL : ICD RED  
LENGTH : 165-170MM



MODEL : ICZ HA  
LENGTH : 169MM



MODEL : ME AA  
LENGTH : 114-170MM



MODEL : MG ABK  
LENGTH : 170MM



MODEL : NMS ABK  
LENGTH : 165-170MM



MODEL : SX3 AA  
LENGTH : 170MM



MODEL : TL7 HBK+ABK  
LENGTH : 170MM



MODEL : TL8 HBK  
LENGTH : 152MM



MODEL : TL9 HBK  
LENGTH : 170MM



MODEL : TL13 AA  
LENGTH : 170MM



MODEL : TL21 AA  
LENGTH : 170MM



MODEL : TL28 HBK+拉丝  
LENGTH : 170MM



MODEL : TL30 HBK+拉丝  
LENGTH : 170MM



MODEL : TL38 HBK+ABK ISIS  
LENGTH : 170-175MM



MODEL : TL40 HBK BNS  
LENGTH : 170MM



MODEL : TL73 HBK  
LENGTH : 170MM



MODEL : TL74 HBK ISIS  
LENGTH : 170MM



MODEL : TL45 HBK  
LENGTH : 170MM



MODEL : TL47 HBK  
LENGTH : 170MM



MODEL : TL80 HBK+ABK BAFANG  
LENGTH : 170-175MM



MODEL : TL81C HBK  
LENGTH : 170MM



MODEL : TL49 HBK  
LENGTH : 170MM



MODEL : TL50 HBK  
LENGTH : 165-170MM



MODEL : TL82 HBK  
LENGTH : 170MM



MODEL : TL83 HBK  
LENGTH : 170MM



MODEL : TL65 HBK  
LENGTH : 170MM



MODEL : TL72 RED  
LENGTH : 170MM



MODEL : TL86 HBK  
LENGTH : 170MM



MODEL : TL87 HBK  
LENGTH : 170MM



MODEL : TL89 HBK  
LENGTH : 170MM



MODEL : TS5 HBK  
LENGTH : 170MM



MODEL : BMX BT01 AA  
LENGTH : 125-170MM



MODEL : BMX BT03 HBK  
LENGTH : 162-170MM



MODEL : TS3 AA  
LENGTH : 165-170MM



MODEL : GMS AA  
LENGTH : 127-140MM



MODEL : BMX BT04 HA  
LENGTH : 170MM



MODEL : BMX BT06 HBK  
LENGTH : 140-170MM



MODEL : ME AA  
LENGTH : 114-152MM



MODEL : TL68 HBK  
LENGTH : 89-127MM



MODEL : MS ABK  
LENGTH : 102MM



MODEL : TL6 HA  
LENGTH : 89MM



MODEL:MTB NARROW WIDE-A  
BCD:104MM  
SIZE:32-42T  
SPEED:7-12S  
MATERIAL:4.0MM ALLOY CNC



**NEW**  
**MODEL:MTB NARROW WIDE-B**  
 BCD:104MM  
 SIZE:38-52T  
 SPEED:7-12S  
 MATERIAL:4.0MM ALLOY CNC



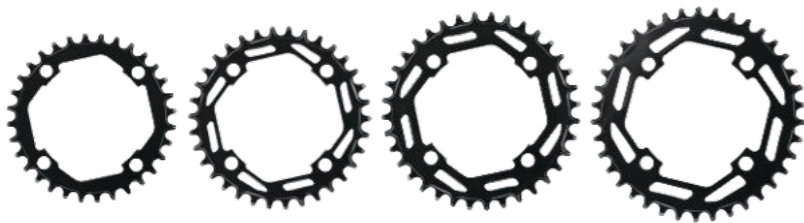
**MODEL:MTB SPEED CHANGE**  
 BCD:104/64MM  
 SIZE:22/32/42T  
 SPEED:9-11S  
 MATERIAL:2.0MM STEEL



**NEW**  
**MODEL:MTB NARROW WIDE-C**  
 BCD:104MM  
 SIZE:32-36T  
 SPEED:7-12S  
 MATERIAL:4.0MM ALLOY CNC



**NEW**  
**MODEL:GXP NARROW WIDE**  
 BCD:GXP  
 SIZE:32-38T  
 OFFSET:0MM,3MM,6MM  
 SPEED:10-12S  
 MATERIAL:ALLOY-7075-T6



**MODEL:MTB NARROW WIDE-D**  
 BCD:104MM  
 SIZE:32-38T  
 SPEED:7-12S  
 MATERIAL:3.3MM STEEL



**NEW**  
**MODEL:GRAVEL NARROW WIDE**  
 BCD:GXP  
 SIZE:34-52T  
 OFFSET:0MM  
 SPEED:10-12S  
 MATERIAL:ALLOY-7075-T6



**NEW**  
**MODEL:ROAD SPEED CHANGE**  
 BCD:GXP  
 SIZE:34/50,36/52,39/53T  
 SPEED:10-12S  
 MATERIAL:ALLOY-7075-T6



**MODEL:MTB SPEED CHANGE**  
 BCD:104/64MM  
 SIZE:26,36/28,38T  
 SPEED:9-12S  
 MATERIAL:2.0MM STEEL



**NEW**  
**MODEL:ROAD SPEED CHANGE**  
 BCD:GXP  
 SIZE:50/34T  
 SPEED:11-12S  
 MATERIAL:ALLOY-7075-T6



**NEW**  
**MODEL:FOLD THE WHEEL DISC**  
 BCD:130mm  
 SIZE:48-53T  
 SPEED:7-11S  
 MATERIAL:4MM ALLOY-6061-T6



NEW

MODEL:ROAD SPEED CHANGE-B

BCD:110MM  
SIZE:34/50,36/52T  
SPEED:10-12S  
MATERIAL:ALLOY-7075-T6



NEW

MODEL:ROAD SPEED CHANGE-B

BCD:110MM  
SIZE:34,36T  
SPEED:10-12S  
MATERIAL:ALLOY-7075-T6



NEW

MODEL: BOTTOM BRACKET BSA24

SIZE:BSA BC1.37\*24TPI L/R  
AXLE:24MM  
SHELL:68/73MM  
MATERIAL:ALLOY-6061-T6



MODEL:RACE-B

BCD:144MM  
SIZE:46-52T  
SPEED:7-12S  
MATERIAL:ALLOY-7075-T6



MODEL:GRAVEL-A

BCD:110MM  
SIZE:40,42T  
SPEED:10-12S  
MATERIAL:ALLOY-7075-T6

NEW

MODEL: BBTOM BRACKET OD41

SIZE:OD 41MM  
AXLE:24MM  
SHELL:86/92MM  
MATERIAL:ALLOY-6061-T6



MODEL:FOLD THE WHEEL DISC

BCD:130mm  
SIZE:48-58T  
SPEED:7-11S  
MATERIAL:8MM ALLOY-6061-T6

NEW

MODEL: BBTOM BRACKET T47

SIZE:M47\*1.0P L/R  
AXLE:24MM  
SHELL:86.5MM  
MATERIAL:ALLOY-6061-T6



MODEL:BCD104 GUARD

BCD:104mm  
SIZE:32-48T  
MATERIAL:2MM ALLOY-6061-T6

NEW

MODEL:BBTOM BRACKET BSA29

SIZE:BSA BC1.37\*24TPI L/R  
AXLE:29MM  
SHELL:68/73MM  
MATERIAL:ALLOY-6061-T6



MODEL:BCD130 GUARD

BCD:110-130mm  
SIZE:42-60T  
MATERIAL:2MM ALLOY-6061-T6



MODEL : JSF 15

PCD:125MM  
MID BORE:Φ29.95  
SIDE BORE:Φ34.65



MODEL : JSF 26

PCD:130MM  
MID BORE:Φ26.95  
SIDE BORE:Φ27



MODEL : JDF 07

PCD:125MM SIDE BORE:Φ31.8  
MID BORE(UP):Φ28.7  
MID BORE(DOWN):Φ29.97



MODEL : JDF 09

PCD:125MM SIDE BORE:Φ25.5 / Φ28.7  
MID BORE(UP):Φ25.5 / 28.7  
MID BORE(DOWN):Φ26.97 / 29.97



MODEL : JSF 27

PCD:160MM  
MID BORE:Φ39.7  
SIDE BORE:Φ29.82



MODEL : JSF 33

PCD:130MM  
MID BORE:Φ26.95  
SIDE BORE:Φ27



MODEL : JDF 10

PCD:160MM SIDE BORE:Φ31.8  
MID BORE (UP):Φ25.4 / Φ28.6  
MID BORE (DOWN):Φ25.4 / Φ28.6



MODEL : JDF 13

PCD:130MM  
MID BORE:Φ28.6  
SIDE BORE:Φ32



MODEL : JDF 01

PCD:130MM SIDE BORE(UP):Φ35 / Φ38  
MID BORE(UP):Φ25.5 / Φ28.7  
MID BORE(DOWN):Φ26.97 / Φ29.97



MODEL : JDF 02

PCD:120MM SIDE BORE:Φ25.5 / Φ32  
MID BORE(UP):Φ25.5 / Φ28.7  
MID BORE(DOWN):Φ26.97 / Φ29.97



MODEL : JDF 05

PCD:132MM SIDE BORE:Φ38  
MID BORE (UP):Φ25.5 / Φ28.7  
MID BORE (DOWN):Φ26.97 / Φ29.97



MODEL : JDF 06

PCD:120MM SIDE BORE:Φ25.5 / Φ28.7  
MID BORE(UP):Φ25.5 / Φ28.7  
MID BORE(DOWN):Φ26.97 / Φ29.97

### 锻造斜管示例:



MODEL : NJ锻造滑板车斜管

DIAMETER:Φ36.2/42MM  
MATERIAL:3D FORGED 6061-T6



MODEL : ES30锻造滑板车斜管

DIAMETER:Φ37/47.1MM  
MATERIAL:FORGED 6061-T6

锻铝前叉示例:



前叉 - 11A



前叉 - 11B



前叉 - 11C



YK前叉 - 1

MATERIAL : AL-6061-T6



YK前叉 - 2

MATERIAL : AL-6061-T6



YK前叉-2B

MATERIAL : AL-6061-T6

锻铝前叉示例:



MODEL : FN-10  
WHEEL SIZE : 10"  
STANCHINOS : 28.6MM  
OPEN GEAR : 85MM  
MATERIAL : FORGED AL-6061-T6

MODEL : TS - 10J  
WHEEL SIZE:10"  
TRAVEL : 35MM  
STANCHINOS : 28.6MM  
OPEN GEAR : 100MM  
MATERIAL : FORGED AL-6061-T6



MODEL : TS - 14J  
WHEEL SIZE : 14"  
TRAVEL : 35MM  
STANCHIONS : 28.6MM  
OPEN GEAR : 100MM  
MATERIAL : FORGED AL- 6061-T6



MODEL : TS - 28DZ  
WHEEL SIZE : 16" / 20"  
STANCHIONS : 28.6MM  
OPEN GEAR : 100MM  
MATERIAL : FORGED AL- 6061-T6

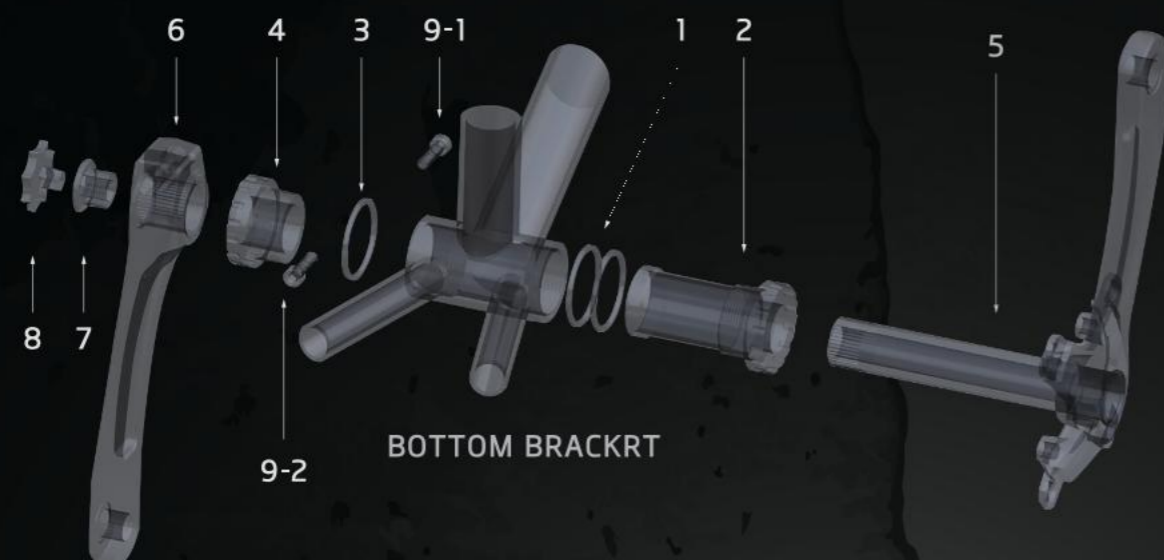


MODEL : TS - 20JT  
WHEEL SIZE : 20" / 26"  
TRAVEL : 100/120/160MM  
STANCHIONS : 28.6MM  
OPEN GEAR : 135MM  
MATERIAL : FORGED AL- 6061-T6



MODEL : TS - JL  
WHEEL SIZE : 20" / 26"  
TRAVEL : 100/120/160MM  
STANCHIONS : 28.6MM  
OPEN GEAR : 135MM  
MATERIAL : FORGED AL- 6061-T6

## ASSEMBLY INSTRUCTIONS 安装说明



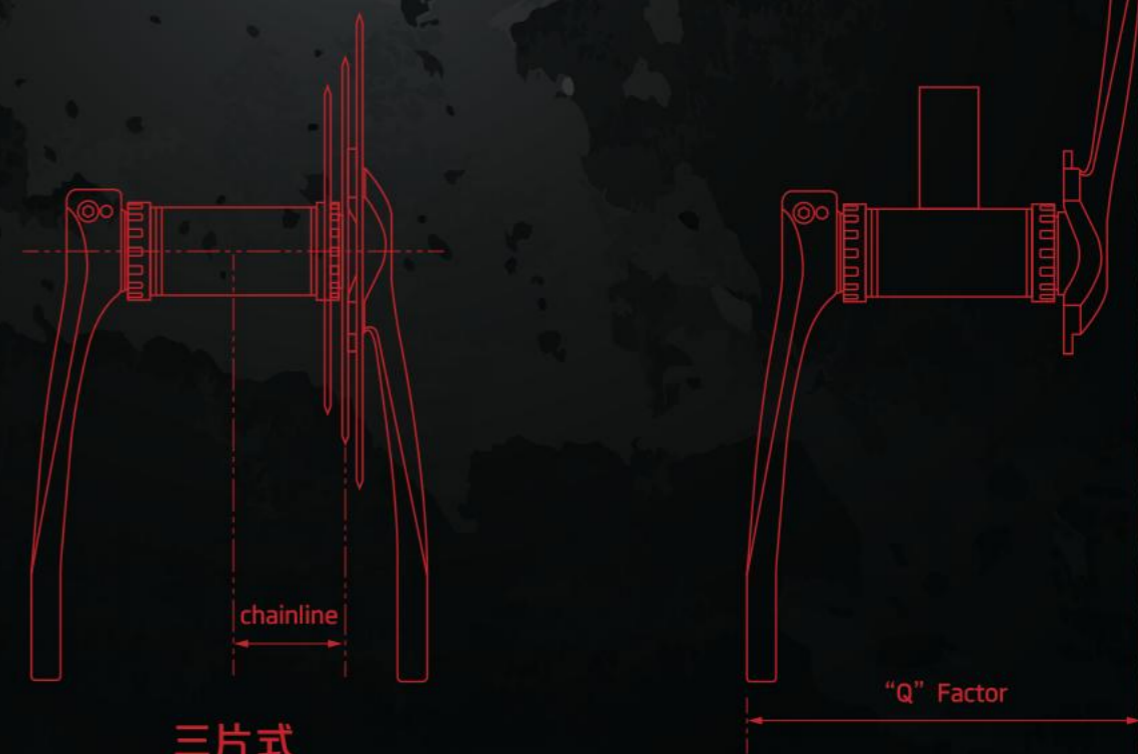
- 1、将垫片(2片)放入右边碗牙纹中(五通宽度73mm),公路车不安装垫圈(五通宽度68mm);  
Put 2pcs of spacer onto thread of right adapter(BB width is 73mm);  
Road bike are not fitted with gaskets(BB width is 68mm);
- 2、使用专用扳手逆时针旋入五通(锁紧扭力: 35-50N.m/350-500kgf.cm/305-435in.lbs.);  
Use the special tool to install the right adapter(counter-clockwise thread),the tightening torque:35-50N.m (350-500kgf.cm/305-435in.lbs);
- 3、将垫片(1片)放入左边碗牙纹中(当五通宽度为73mm时不加垫片),公路车不安装垫圈;  
Put 1pcs of spacer onto thread of left adapter(Exclude spacer while the BB width is 73mm);  
Road bike are not fitted with gaskets;
- 4、使用专用扳手顺时针旋入五通(锁紧扭力: 35-50N.m (350-500kgf.cm/305-435in.lbs.);  
Using same special tool to install the left adapter(clockwise thread),the tightening torque:35-50N.m (350-500kgf.cm/305-435in.lbs);
- 5、插入右曲柄组至五通内;  
Insert the right crank unit into bottom bracket.
- 6、将左曲柄套入右曲柄的轴中,此时左曲柄需与右曲柄相反方向呈180度;  
Set the left crank into the axle of the right crank unit and the left and right crank are on opposite sides at 180 degree.
- 7、将中轴螺丝锁入轴心左端(顺时针旋转);  
Screw the capless bolt into axle of left side(clockwise thread)
- 8、使用旋紧工具(内附)及力矩扳手旋紧螺丝(顺时针旋转),锁紧扭力:0.7-1.5N.m (7-15kgf.cm/6-13in.lbs.);  
切勿用力过大,否则会出现转动不顺畅;  
Use tighten tools(included) and tighten wrench to tighten the capless bolt(clockwise thread),the tightening torque: 0.7-1.5N.m(7-15kgf.cm/6-13in.lbs.);Do not put too much force to have smoothly rotating.
- 9、用5mm内六角扳手锁紧2个左曲柄螺丝;两2个锁紧螺丝请勿单一锁紧一侧,应交替地拧紧(锁紧扭力: 12-15 N.m/120-150kgf.cm/106-132in.lbs.)  
Use 5mm Allen key to tighten two bolts of the left crank arm .These two mounting bolts should be tightened alternately in stages rather than each bolt being fully tighten all at once . Use a tighten wrench to check the tightening torque with in the range of 12~15N.m(120-150kgf.cm/106-132in.lbs.)
- 10、注意:请在骑行约100公里后,再次通过力矩扳手确认锁紧力为合适值!定期确认锁紧力十分重要,在锁紧力矩变弱或未交替锁紧时,容易造成左曲柄脱落,从而使骑车者发生事故;  
Notice:After riding nearly 100km(60 miles),it is necessary to use a tighten wrench to re-check the tightening torque. It is important to periodically check the tightening torque. If the tightening torques are too weak or the mounting bolts are not be tightened alternately in stages , the left crank arm may come off and bicycle may fall over,and serious injury may occur as a result.

## CHAINLINE / Q-FACTOR / 链线 / Q值说明



单片式

两片式



三片式